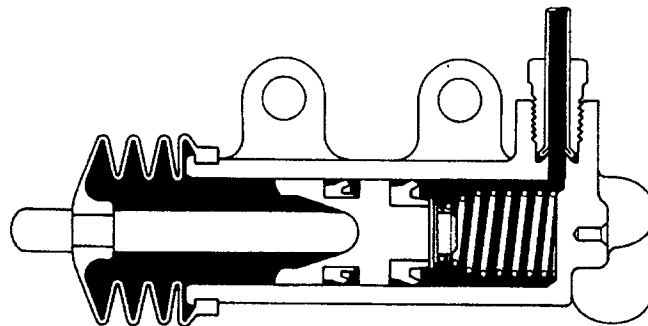
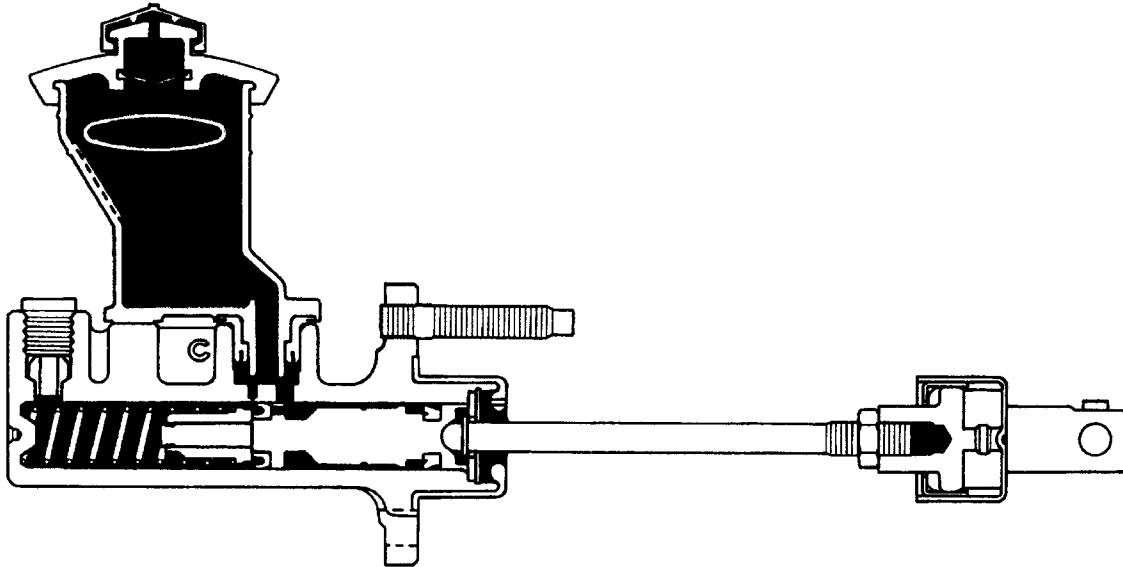

CLUTCH

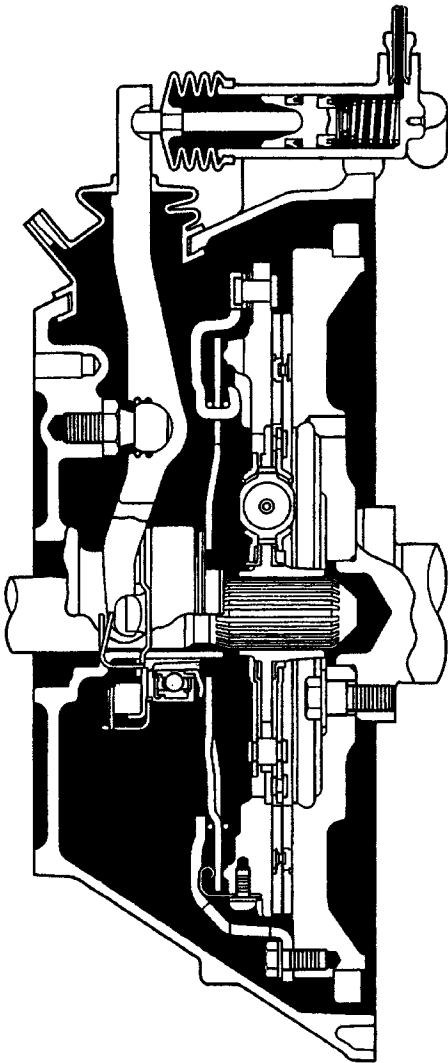
DESCRIPTION

The diaphragm spring turnover type clutch providing lighter release performance.

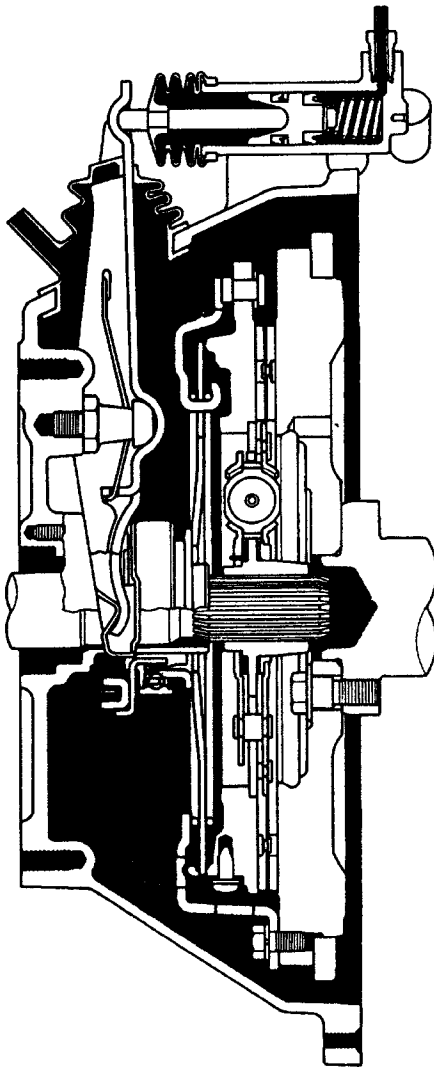
CL01D-01



3S-GTE-Engine



5S-FE-Engine



Q01460
Q01461